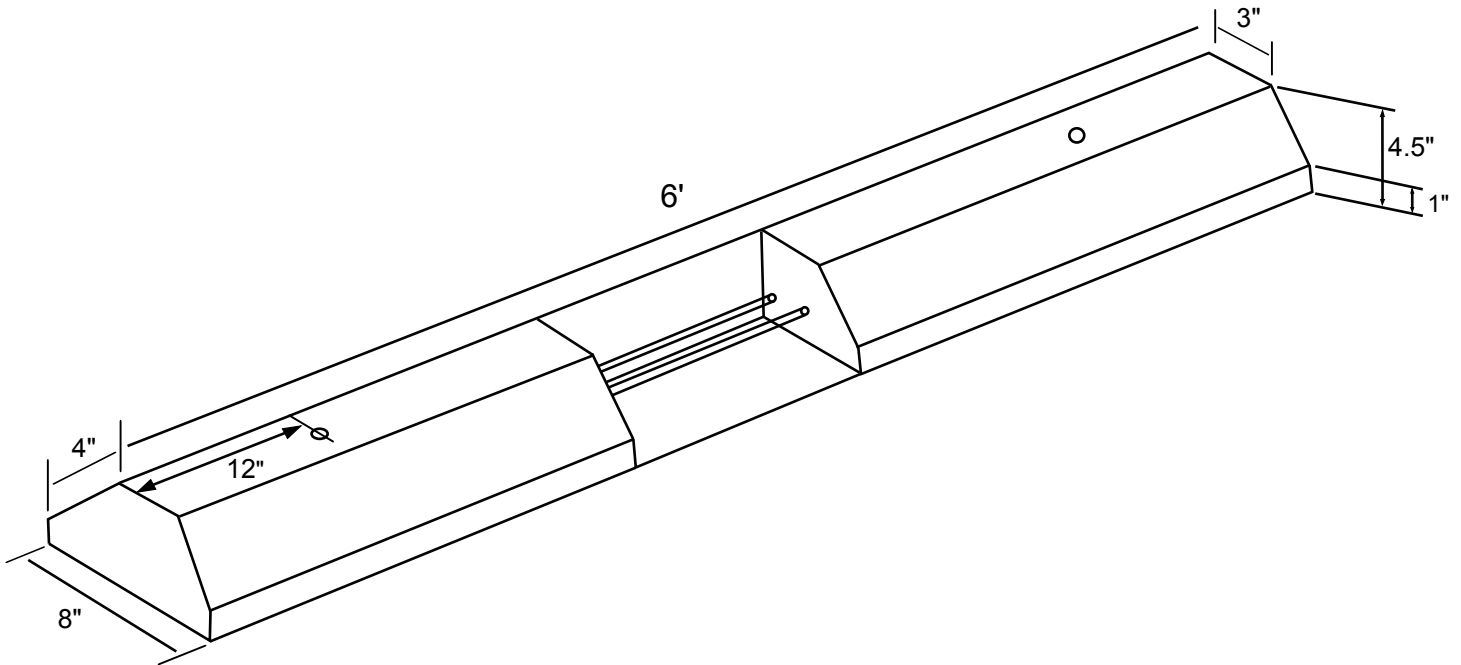




www.coastprecast.com
Phone: 936.890.5500
Toll Free: 877.708.7323
Fax: 936.890.5501
sales@coastprecast.com

6' Precast Parking Stop



NOTES

- (2) 1/2" REBAR REINFORCING POSTS MEASURING 5'11" RUN THE LENGTH OF THE PARKING STOP
- REINFORCING BARS: ASTM A615, GRADE 60
- 5/8" ANCHOR BOLT OPENINGS
- CONCRETE 5,000 LBS PSI 28 DAYS
- LIVE LOAD 100 LBS PER SQ FOOT
- FLEXURAL STRENGTH: 2500-3000 PSI
- ABSORPTION 3%-4%

APPROVED BY: _____

DATE: _____

PRINT NAME: _____